

Data Glove

SCIENTIFIC AMERICAN

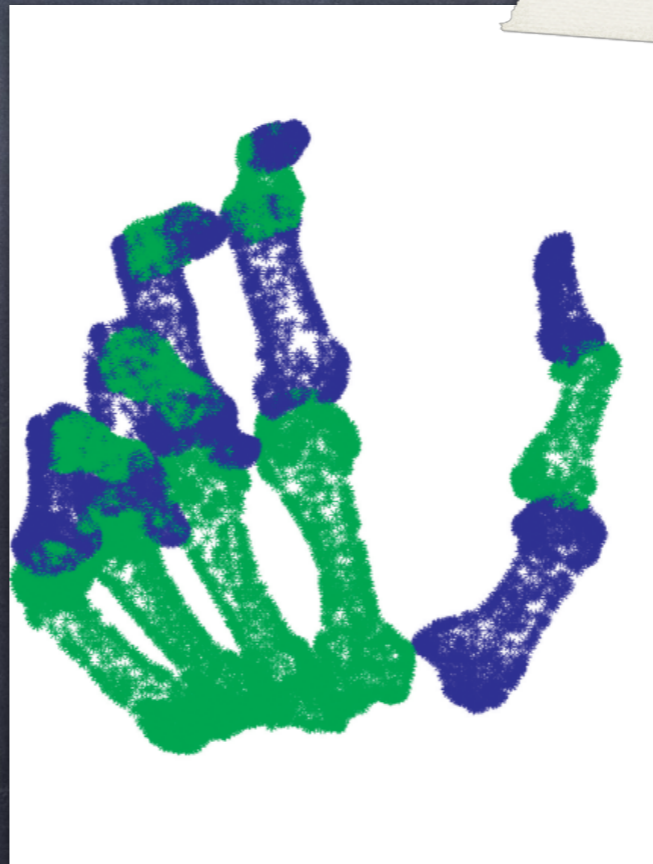
OCTOBER 1987

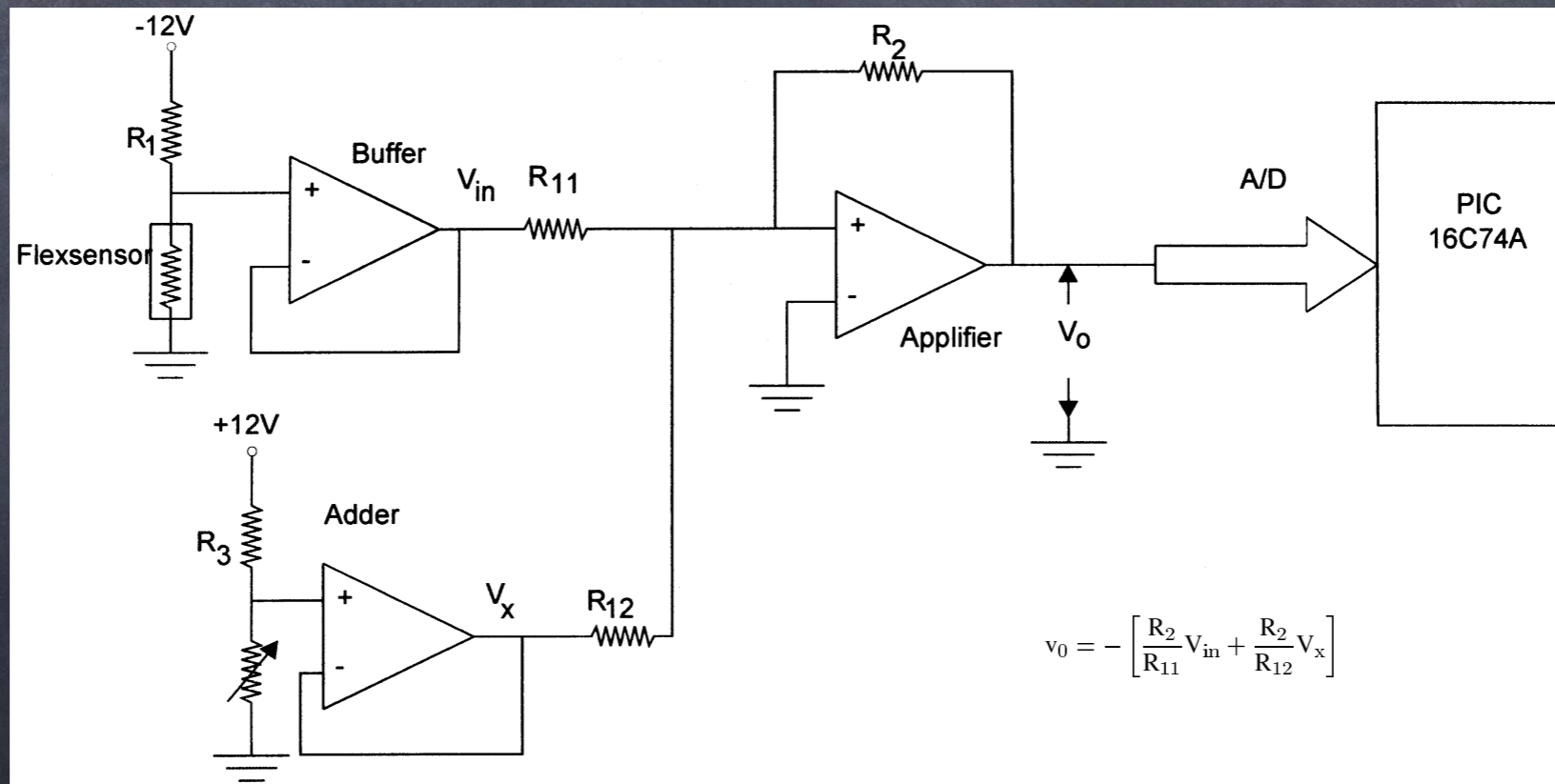
\$2.50

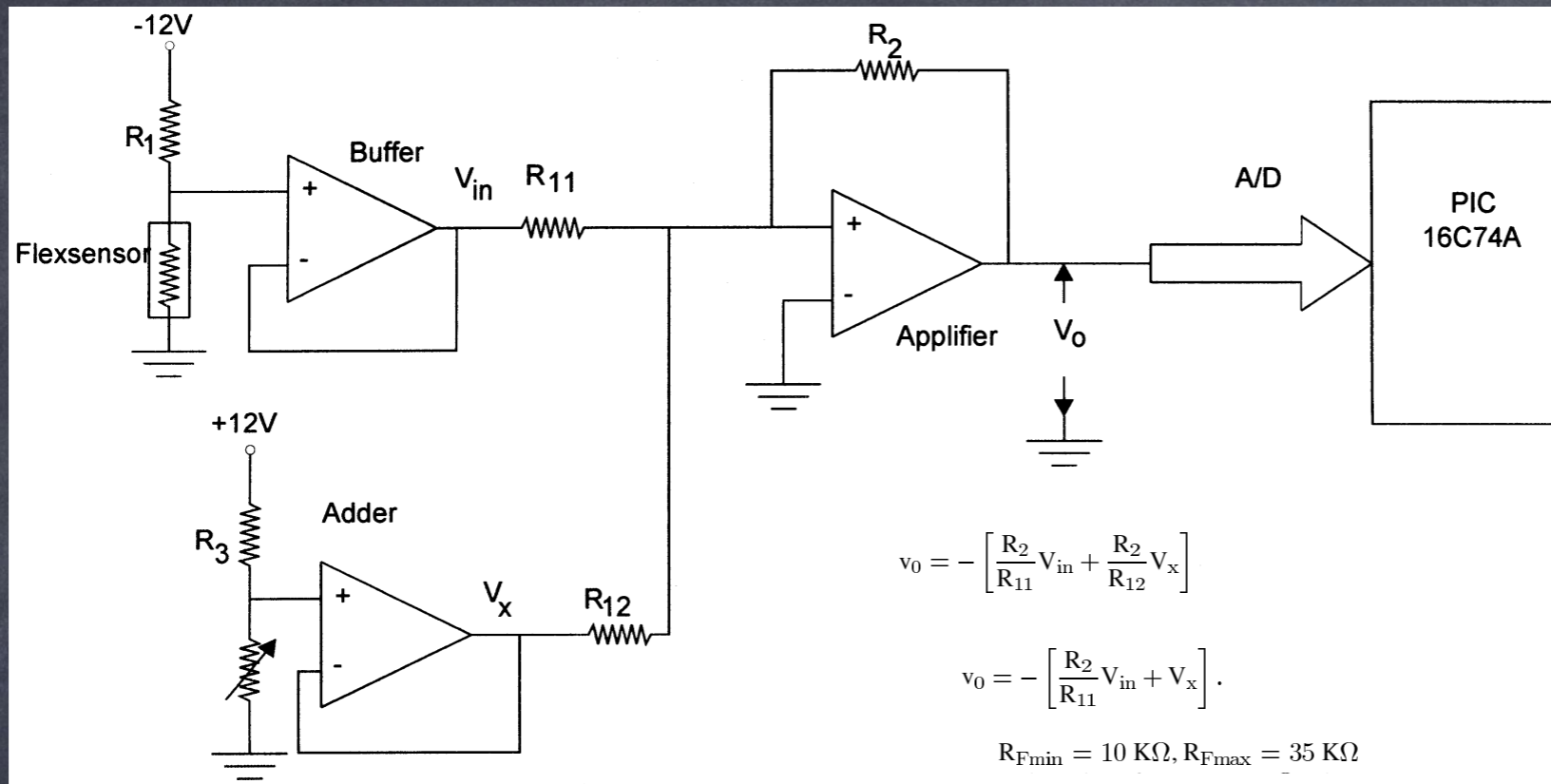
The next revolution in computers, the subject of this issue, will see power increase tenfold in 10 years while networks and advanced interfaces transform computing into a universal intellectual utility.



Wired Glove gives a computer user the sensation of handling objects on the screen; the image of the hand mimics the user's movements.

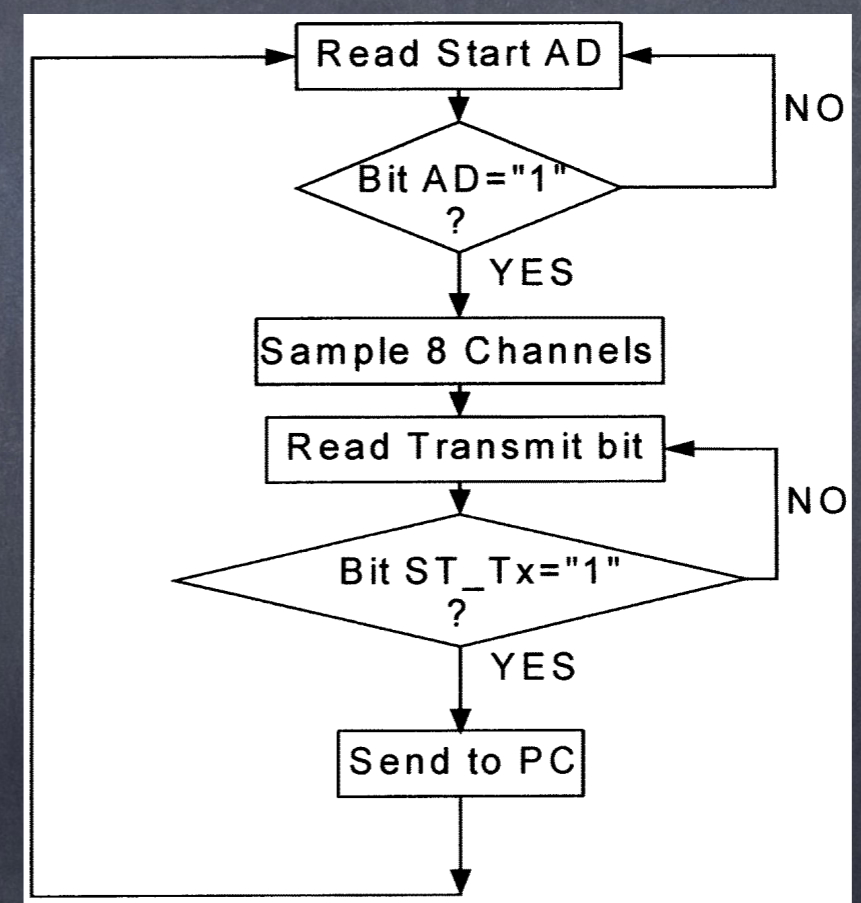
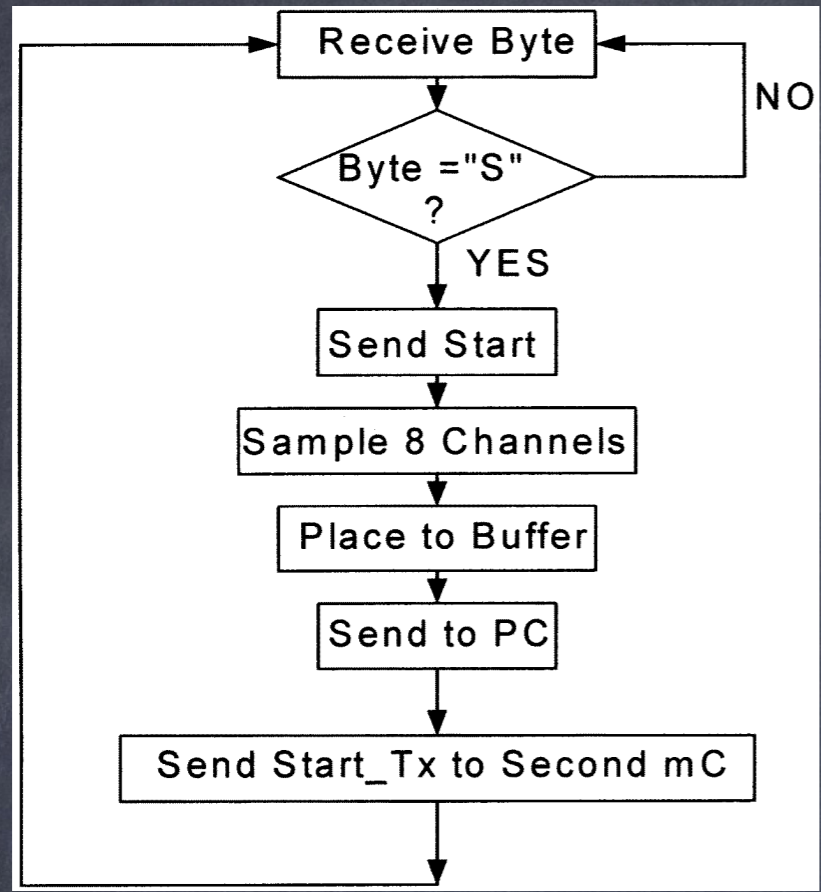


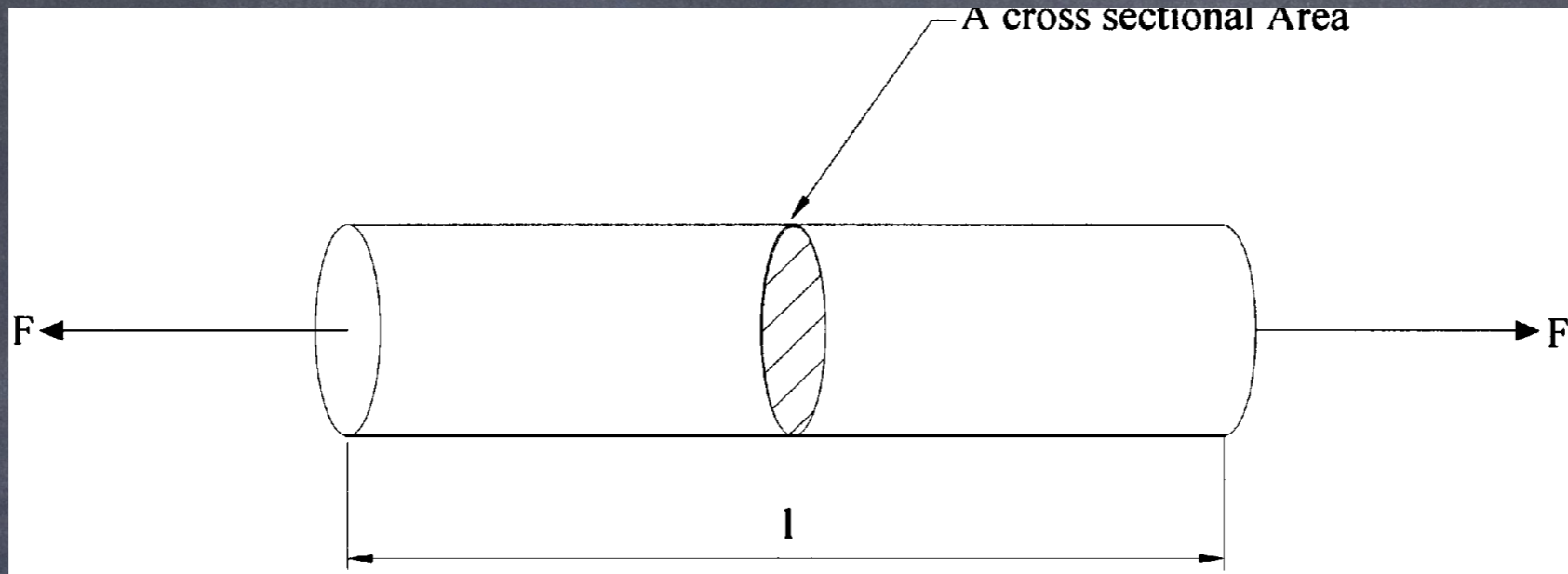


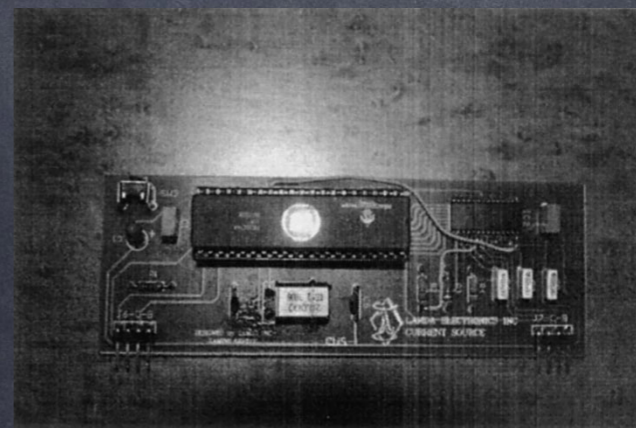
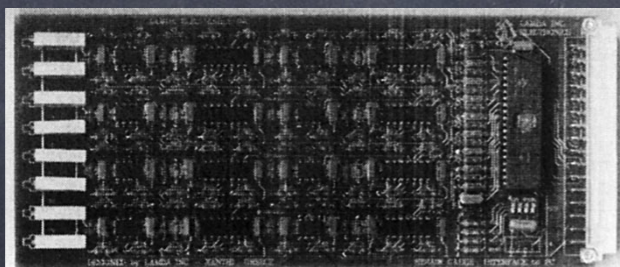
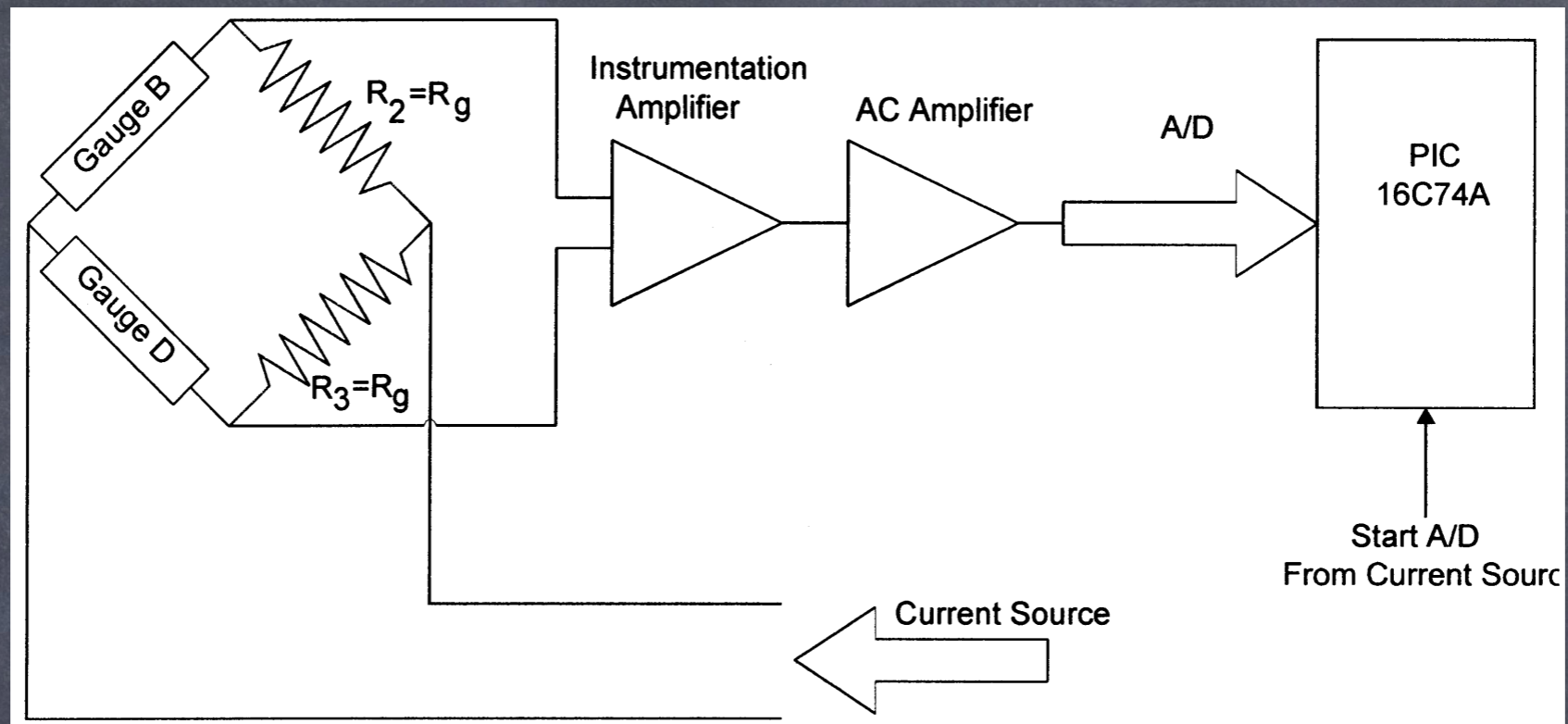


0 degrees = 13kΩ
 90 degrees = 35 KΩ

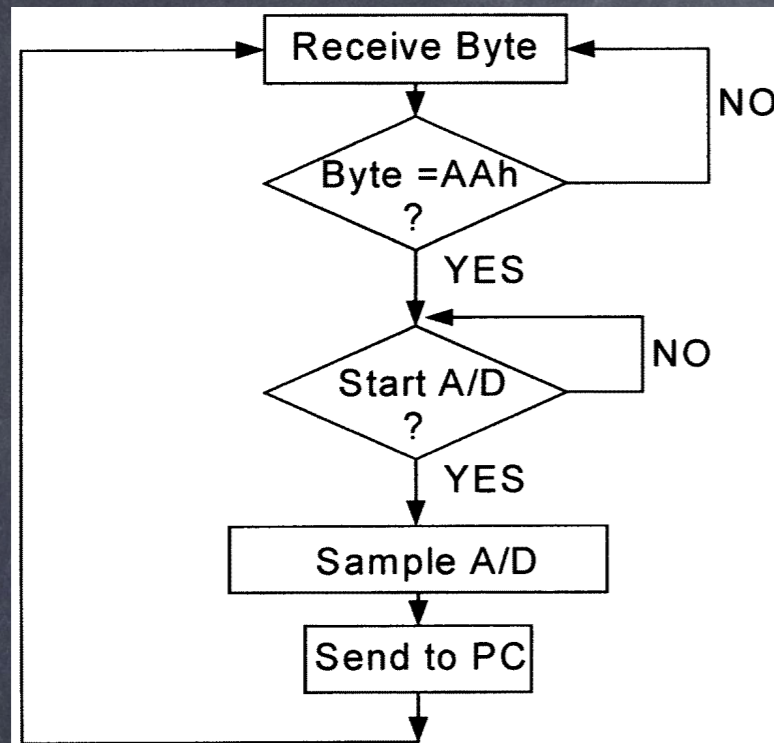
$$R_2 = R_{12}$$







PICK BALL TASK



Force (N)	Thumb	Index	Middle	Ring	Little	Position
0	0.1	0.2	0.1	0.1	0.1	Open Palm
0.5	5.7	35.3	17.6	18.7	12.4	Pick Ball
19.76	6.1	36.2	17.5	18.2	11.9	Squeeze A
39.90	5.9	36.3	17.1	18.7	12.2	Squeeze B
84.76	6.3	37.1	17.5	19.0	12.1	Squeeze C

Data Glove with Force Sensor

Thumb (degs)

Index (degs)

Middle (degs)

Ring (degs)

Little (degs)

Force (N)